

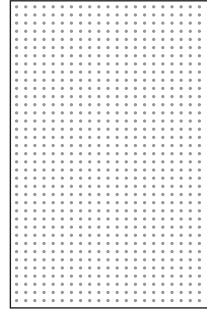


PEGBOARD PAPER

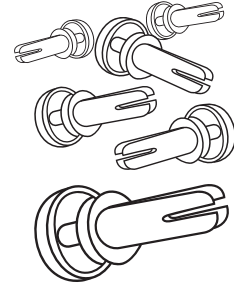
A WETZEL BROTHERS PRODUCT

KIT CONTENTS

Please be sure to inspect your order for accuracy.



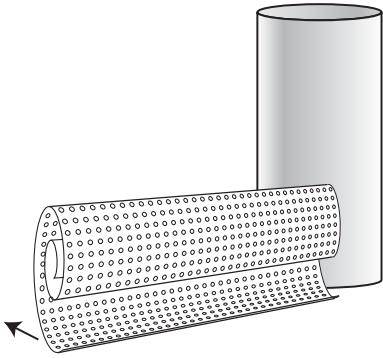
Pegboard Paper
w/ pre-punched holes



Fasteners
Typically (6) per Sheet

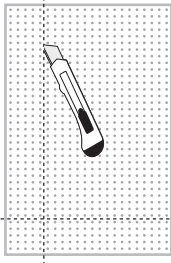
INSTRUCTIONS

STEP 1 Unroll the Pegboard Paper and if possible allow it to lay flat, upside-down for a while before installing it.

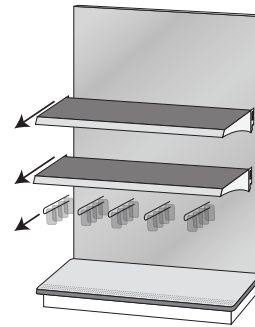


STEP 3 If your paper needs to be trimmed, measure the area that you will need to cover and mark the appropriate lengths on the new Pegboard Paper.

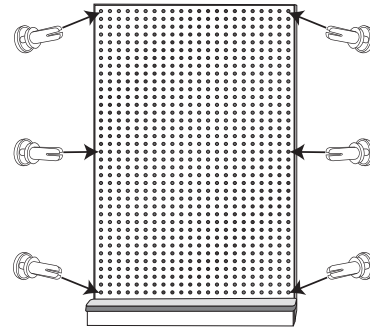
Use a box-cutter and straight edge to cut unwanted Pegboard Paper off. Be sure to cut off the bottom edge rather than the top.



STEP 2 Remove all shelves and hooks from your gondola. If you have any existing backer paper on your pegwall, remove it along with any hardware that was used to keep it up.



STEP 4 Attach the new Pegboard Paper to your gondola by using the enclosed fasteners. Follow diagram to the right for placement. Reattached your shelving.



Wetzel Brothers focuses on retail signage and temporary point-of-purchase. All pieces are custom printed to the client's specifications. This progressive temporary P-O-P producer offers solutions from concept through delivery. Our design and mock-up capabilities will bring your vision to life. Wetzel is a leader when it comes to printing on a diverse range of substrates. Large-format up to 73 inches and flatbed digital printing.

OTHER PRODUCTS

Standees « merchandisers « counter displays
retail signage « wobblers « floor decals « 2-sided
window decals static clings « large-format posters
counter mats « pole toppers « shelf strips « mobiles
floor displays and custom items are offered.



WETZEL
BROTHERS